

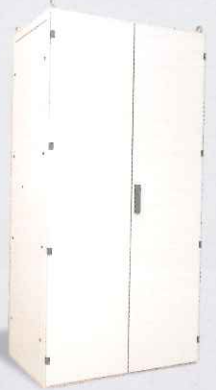


إنفرا تيك م . ح . ذ . م . م  
INFRATECH FZ LLC

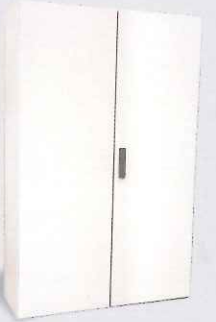


## Enclosure System

### Extendable Series



### Large Series



### Medium Series



### Compact Series



### Distribution Board



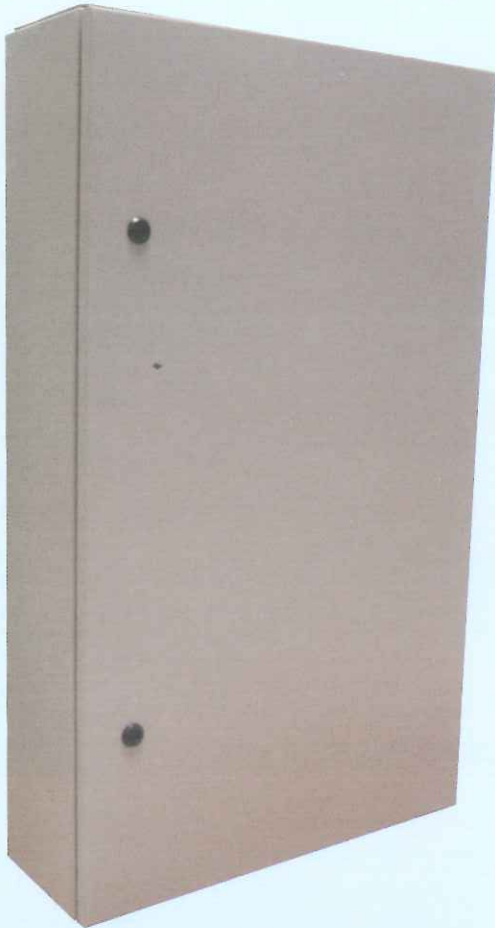
Authorized Panel Builder





## INFRATECH - COMPACT SERIES

### Compact Enclosures



- ▶ This set of enclosures are compact in design with maximum utilization of space.
- ▶ Manufactured out of electrogalvanized steel sheet, the welded mono block body with folding at the front gives good rigidity.
- ▶ Electrogalvanized steel sheet combined with oxsilan® treatment and electrostatic powder coating with polyester powder (RAL 7032-texture) gives excellent resistance to corrosion in the hot, humid & salt laden atmosphere.
- ▶ 120 degree openable, concealed hinges are easily removable for performing cutout operations on door.
- ▶ Neoprene gasketed gland plates (top gland plate-optional) can be fixed inside or out side the enclosure.
- ▶ Standard double bit key operated locks can be substituted with optional wing knob type (lockable & non lockable) locks.
- ▶ Wall mounting provision for direct fixing or with optional wall mounting brackets.
- ▶ Easy fixing of mounting plates with studs for optimum use of space.
- ▶ Welded earth studs for door/body earthing.
- ▶ Degree of protection IP 55 & 65.



HINGES & MOUNTING PLATE



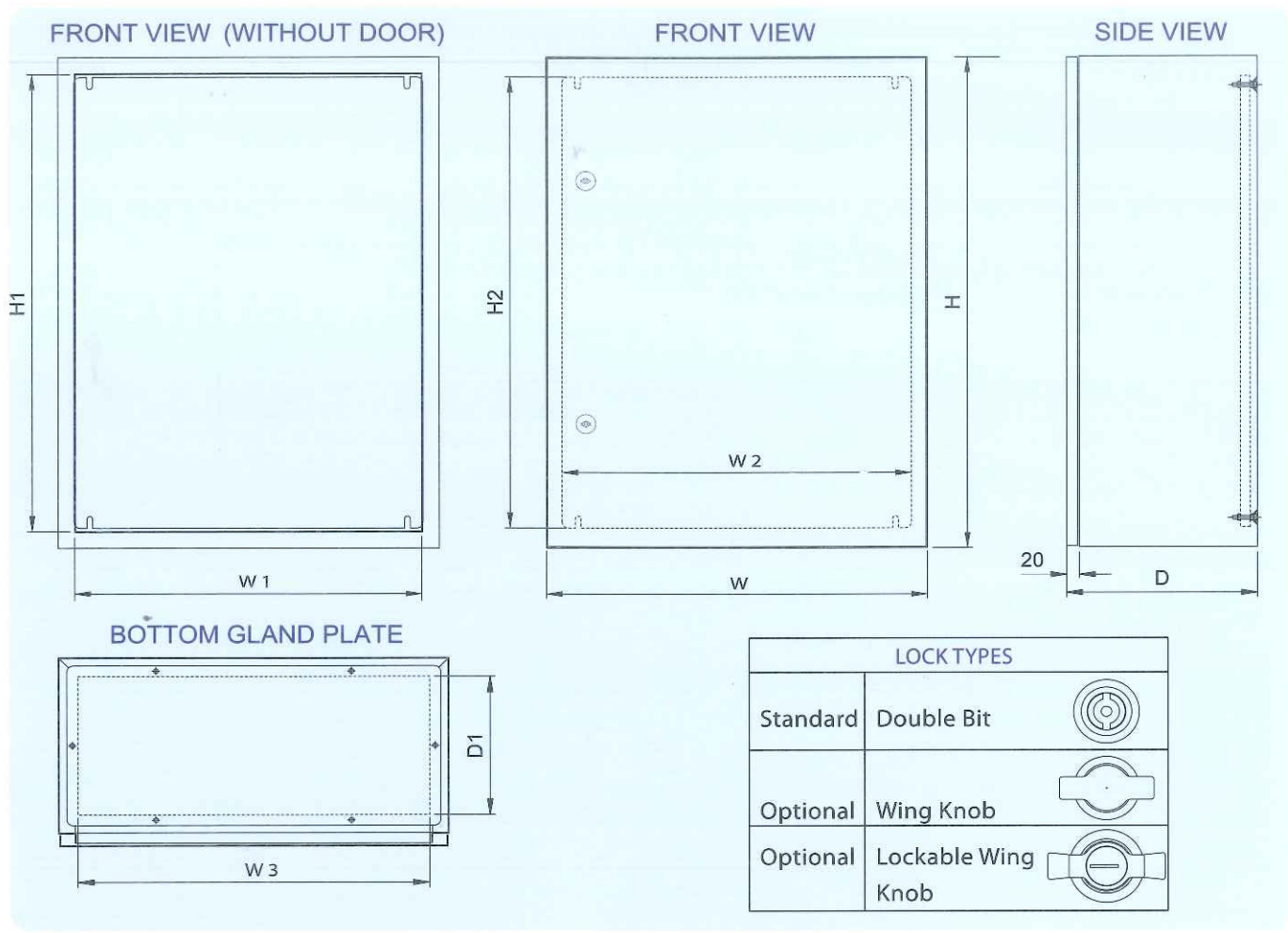
EARTHING BETWEEN  
BODY & DOOR



WALL MOUNTING  
BRACKET



STANDARD LOCK



**ORDERING REFERENCES**

S. No.	INFRATECH REFERENCES	SIZE: H x W x D	THICK	NO. OF LOCK	H1	W1	W3	D1	MOUNTING PLATE		
									H2	W2	THICK
1	IFC 32/150	300 x 200 x 150	1.5	1	245	145	140	70	235	150	2
2	IFC 43/150	400 x 300 x 150	1.5	1	345	245	240	70	335	250	2
3	IFC 64/150	600 x 400 x 150	1.5	2	545	345	340	70	535	350	2
4	IFC 66/150	600 x 600 x 150	1.5	2	545	545	540	70	535	550	2
5	IFC 86/150	800 x 600 x 150	1.5	2	745	545	540	70	735	550	2
6	IFC 106/150	1000 x 600 x 150	1.5	2	945	545	540	70	935	550	2
7	IFC 126/150	1200 x 600 x 150	1.5	2	1145	545	540	70	1135	550	2
8	IFC 146/150	1400 x 600 x 150	1.5	2	1345	545	540	70	1335	550	2
9	IFC 32/200	300 x 200 x 200	1.5	1	245	145	140	120	235	150	2
10	IFC 43/200	400 x 300 x 200	1.5	1	345	245	240	120	335	250	2
11	IFC 64/200	600 x 400 x 200	1.5	2	545	345	340	120	535	350	2
12	IFC 66/200	600 x 600 x 200	1.5	2	545	545	540	120	535	550	2
13	IFC 86/200	800 x 600 x 200	1.5	2	745	545	540	120	735	550	2
14	IFC 106/200	1000 x 600 x 200	1.5	2	945	545	540	120	935	550	2
15	IFC 126/200	1200 x 600 x 200	1.5	2	1145	545	540	120	1135	550	2
16	IFC 146/200	1400 x 600 x 200	1.5	2	1345	545	540	120	1335	550	2
17	IFC 66/300	600 x 600 x 300	1.5	2	545	545	540	220	535	550	2
18	IFC 86/300	800 x 600 x 300	1.5	2	745	545	540	220	735	550	2
19	IFC 106/300	1000 x 600 x 300	1.5	2	945	545	540	220	935	550	2
20	IFC 88/300	800 x 800 x 300	1.5	2	745	745	740	220	735	750	2

ALL DIMENSIONS ARE IN MM

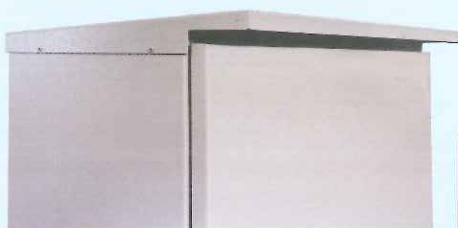


## INFRATECH ENCLOSURES - MEDIUM SERIES

### Medium Enclosures



- ▶ Manufactured out of electrogalvanized steel sheet, the welded monoblock body with folding at the front gives good rigidity.
- ▶ Electrogalvanized steel sheet combined with oxsilan® treatment and electrostatic powder coating with polyester powder (RAL 7032-texture) gives excellent resistance to corrosion in the hot, humid & salt laden atmosphere.
- ▶ 120 degree openable, concealed hinges are easily removable for performing cutout operations on door.
- ▶ Standard double bit key operated three point locks can be substituted with optional wing knob type (Lockable or Non-Lockable) locks.
- ▶ Glanding space of 25mm at the bottom avoids additional plinth in most cases.
- ▶ Neoprene gasketed gland plate at the bottom with ample cabling space.
- ▶ Additional canopy can be supplied as an option for outdoor installation.
- ▶ Welded earth studs for door/body earthing.
- ▶ Degree of protection IP55



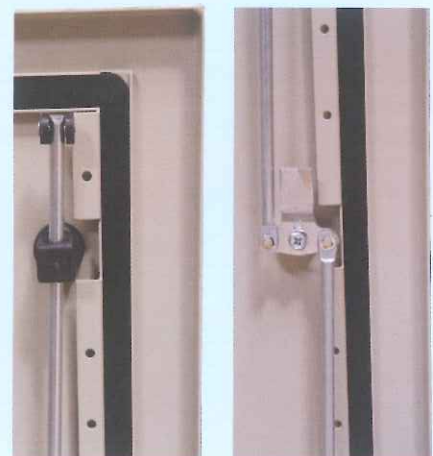
OPTIONAL CANOPY



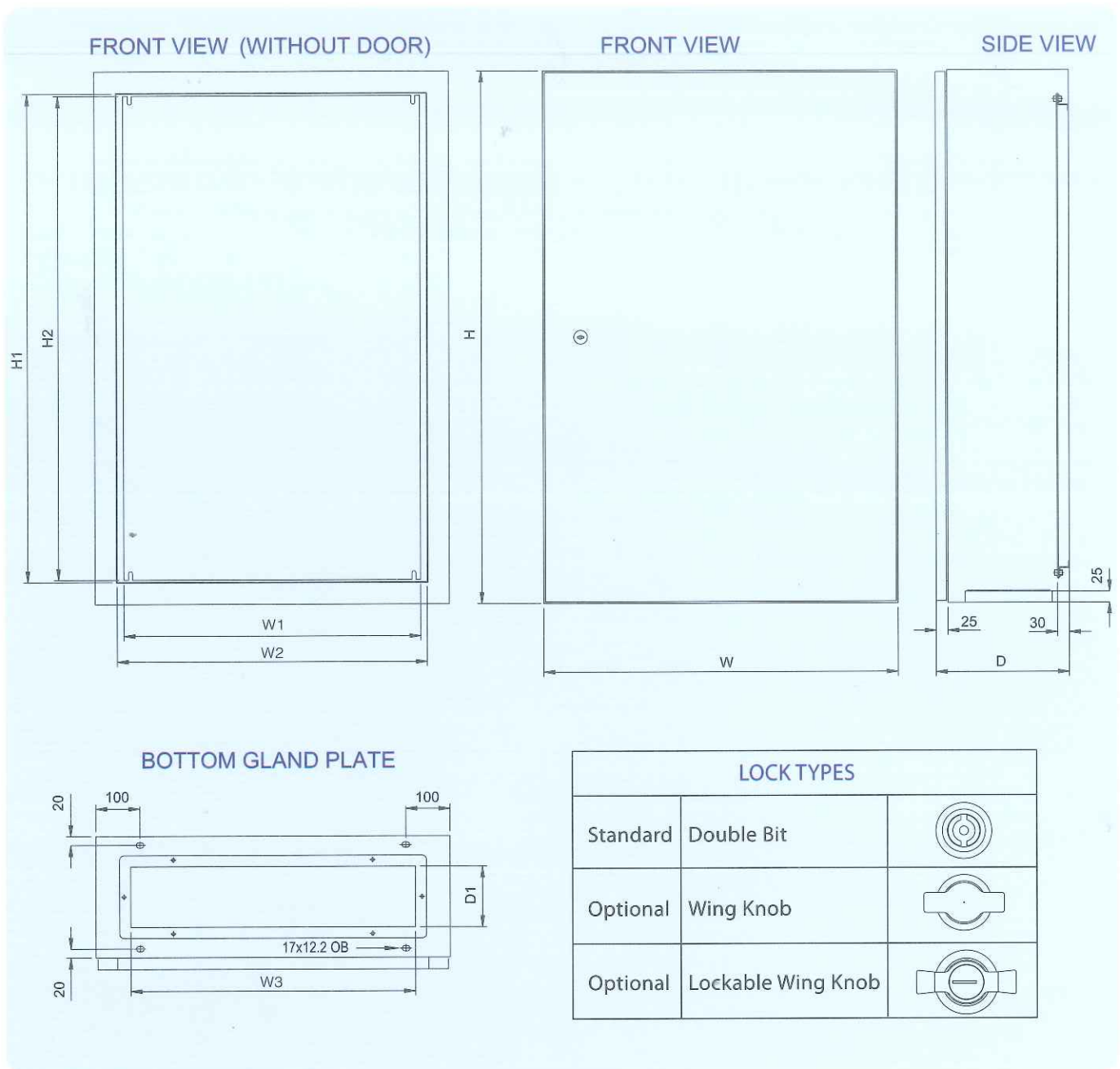
HINGES & MOUNTING PLATE



EARTHING BETWEEN  
BODY & DOOR



STANDARD LOCK



**ORDERING REFERENCES**

S. NO.	INFRATECH REFERENCES	SIZE: H x W x D	THICK	H1	W1	W3	D1	MOUNTING PLATE		
								H2	W2	THICK
1.	IFM 126 / 300	1200 x 600 x 300	1.5	1100	500	443	148	1090	550	2
2.	IFM 146 / 300	1400 x 600 x 300	1.5	1300	500	443	148	1290	550	2
3.	IFM 108 / 300	1000 x 800 x 300	1.5	900	700	643	148	890	750	2
4.	IFM 128 / 300	1200 x 800 x 300	1.5	1100	700	643	148	1090	750	2
5.	IFM 148 / 300	1400 x 800 x 300	1.5	1300	700	643	148	1290	750	2
6.	IFM 148 / 400	1400 x 800 x 400	1.5	1300	700	643	248	1290	750	2

ALL DIMENSIONS ARE IN MM



# INFRATECH ENCLOSURES - LARGE SERIES

## Large Enclosures



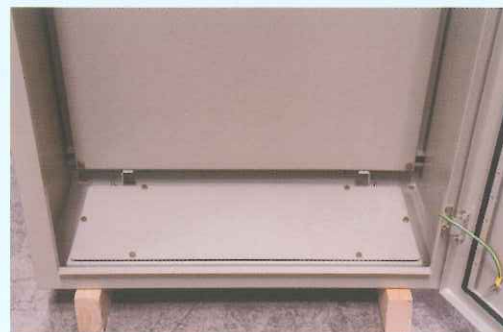
- ▶ Welded construction with removable rear covers.
- ▶ Electrogalvanized steel sheet combined with oxsilan® treatment and electrostatic powder coating with polyester powder (RAL 7032-texture) gives excellent resistance to corrosion in the hot, humid & salt laden atmosphere.
- ▶ 120 degree openable, concealed hinges are easily removable for performing cutout operations on door.
- ▶ Glading space of 25mm at the bottom avoids additional plinth.
- ▶ Swing handle type 3 point lock for better ergonomy. Locking provision available as optional.
- ▶ Neoprene gasketed gland plate at the bottom with ample cabling space.
- ▶ Additional canopy can be supplied as an option for outdoor installation.
- ▶ Welded earth studs for door/body earthing.
- ▶ Degree of protection IP55



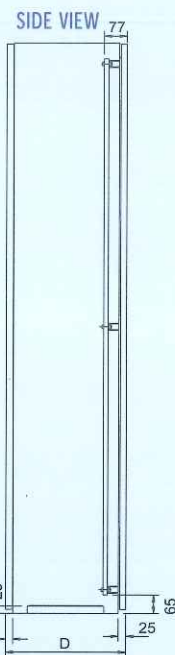
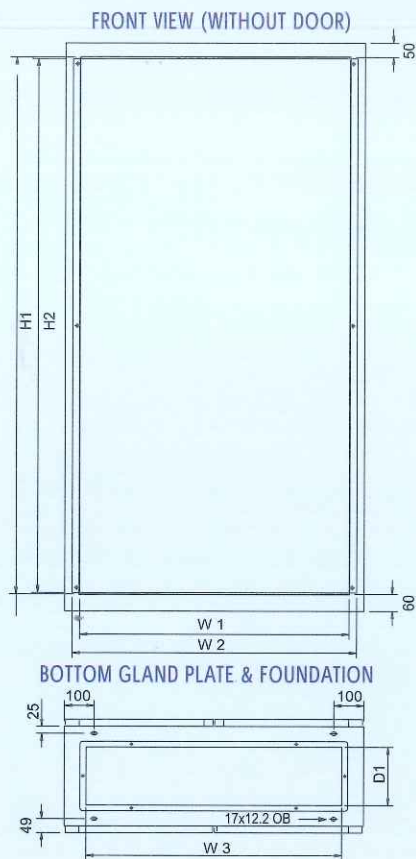
EARTHING BETWEEN BODY & DOOR





STANDARD LOCK



GLAND PLATE & MOUNTING PLATE



LOCK TYPES	
Up to H = 1400	Standard Double Bit 
Above H = 1400	Standard - Swing Handle with Key 
	Optional-Swing Handle with Pad Lock Facility

### ORDERING REFERENCES

S.NO.	INFRATECH REFERENCES	SIZE: H x W x D	THICK	NO.OF DOOR	NO.OF REAR COVER	H1	W1	W3	D1	MOUNTING PLATE		
										H2	W2	THICK
1.	IFL 166/300 SD+MP	1600 x 600 x 300	2	1	1	1490	500	454	105	1480	550	2.5
2.	IFL 168/300 SD+MP	1600 x 800 x 300	2	1	1	1490	700	654	105	1480	750	2.5
3.	IFL 188/300 SD+MP	1800 x 800 x 300	2	1	1	1690	700	654	105	1680	750	2.5
4.	IFL 208/300 SD+MP	2000 x 800 x 300	2	1	1	1890	700	654	105	1880	750	2.5
5.	IFL 168/400 SD+MP	1600 x 800 x 400	2	1	1	1490	700	654	205	1480	750	2.5
6.	IFL 188/400 SD+MP	1800 x 800 x 400	2	1	1	1690	700	654	205	1680	750	2.5
7.	IFL 208/400 SD+MP	2000 x 800 x 400	2	1	1	1890	700	654	205	1880	750	2.5
8.	IFL 1210/400 SD+MP	1200 x 1000 x 400	2	1	1	1090	900	854	205	1080	950	2.5
9.	IFL 1210/400 DD+MP	1200 x 1000 x 400	2	2	1	1090	900	854	205	1080	950	2.5
10.	IFL 1410/400 SD+MP	1400 x 1000 x 400	2	1	1	1290	900	854	205	1280	950	2.5
11.	IFL 1410/400 DD+MP	1400 x 1000 x 400	2	2	1	1290	900	854	205	1280	950	2.5
12.	IFL 1610/400 SD+MP	1600 x 1000 x 400	2	1	1	1490	900	854	205	1480	950	2.5
13.	IFL 1610/400 DD+MP	1600 x 1000 x 400	2	2	1	1490	900	854	205	1480	950	2.5
14.	IFL 1810/400 SD+MP	1800 x 1000 x 400	2	1	1	1690	900	854	205	1680	950	2.5
15.	IFL 1810/400 DD+MP	1800 x 1000 x 400	2	2	1	1690	900	854	205	1680	950	2.5
16.	IFL 2010/400 SD+MP	2000 x 1000 x 400	2	1	1	1890	900	854	205	1880	950	2.5
17.	IFL 2010/400 DD+MP	2000 x 1000 x 400	2	2	1	1890	900	854	205	1880	950	2.5
18.	IFL 1212/400 DD+MP	1200 x 1200 x 400	2	2	2	1090	1100	1054	205	1080	1150	2.5
19.	IFL 1412/400 DD+MP	1400 x 1200 x 400	2	2	2	1290	1100	1054	205	1280	1150	2.5
20.	IFL 1612/400 DD+MP	1600 x 1200 x 400	2	2	2	1490	1100	1054	205	1480	1150	2.5
21.	IFL 1812/400 DD+MP	1800 x 1200 x 400	2	2	2	1690	1100	1054	205	1680	1150	2.5
22.	IFL 2012/400 DD+MP	2000 x 1200 x 400	2	2	2	1890	1100	1054	205	1880	1150	2.5

ALL DIMENSIONS ARE IN MM

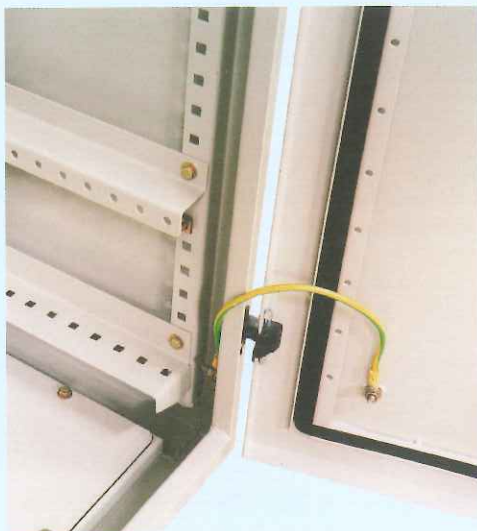
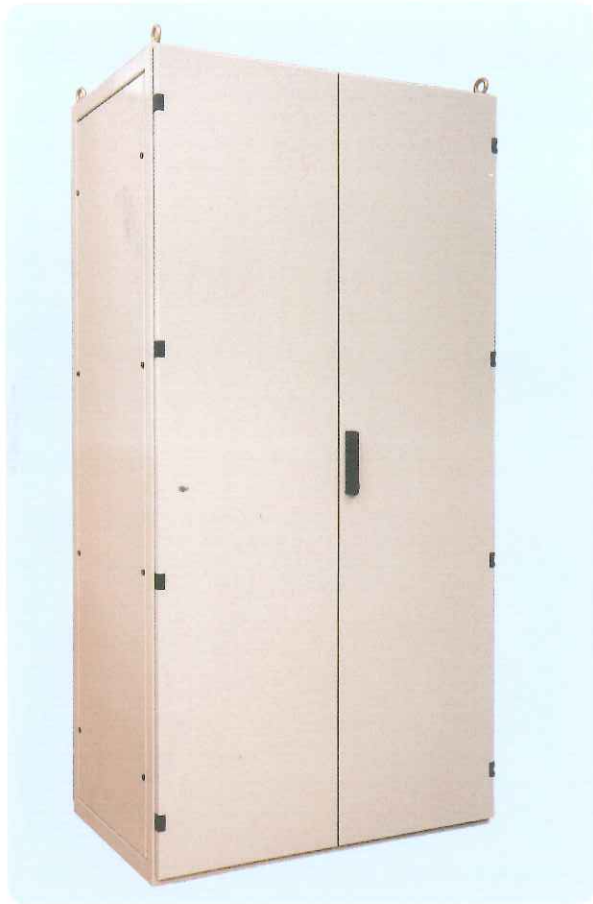
INFRATECH FZ LLC



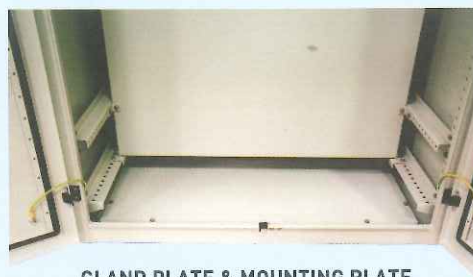
# INFRATECH ENCLOSURES - EXTENDABLE SERIES

## Extendable Enclosures

- ▶ These enclosures are available in four convenient widths.
- ▶ Enclosures are extendable which make them suitable for long single switchboard with removable rear and side panels.
- ▶ Electrogalvanized steel sheet combined with oxsilan® treatment and electrostatic powder coating with polyester powder (RAL 7032-texture) gives excellent resistance to corrosion in the hot, humid & salt laden atmosphere.
- ▶ 180 degree openable, concealed hinges and lockable swing handle with flat rod locking system improves the aesthetics and ensures IP rating.
- ▶ Glanding space of 25mm at the bottom avoids additional plinth.
- ▶ Neoprene gasketed gland plate at the bottom with ample cabling space.
- ▶ Perforated vertical corner members allow fixing of additional depth members, multiple mounting plates at different levels or fully adjustable common mounting plate.
- ▶ Eye bolts for ease of handling.
- ▶ Welded earth studs for door/body earthing.
- ▶ Degree of protection IP55



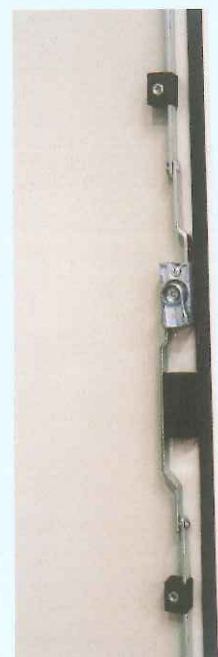
EARTHING BETWEEN BODY & DOOR



GLAND PLATE & MOUNTING PLATE



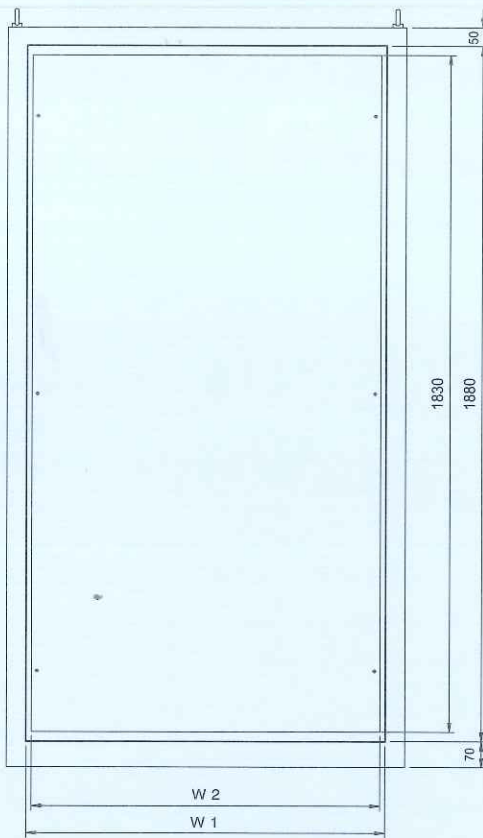
HINGES



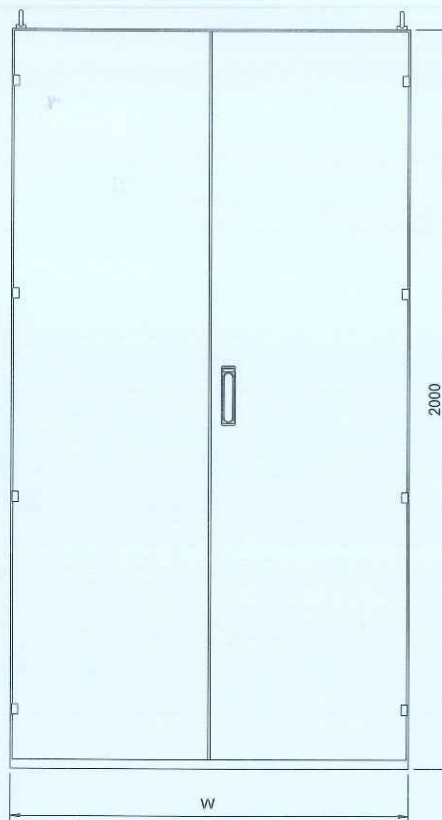
LOCK



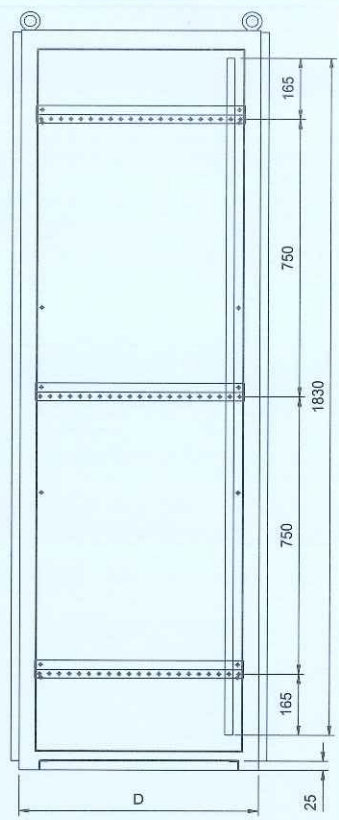
FRONT VIEW (WITHOUT DOOR)



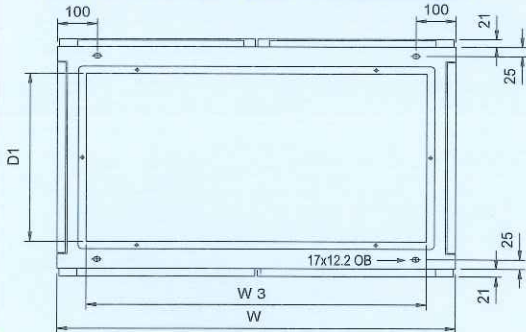
FRONT VIEW




SIDE VIEW



BOTTOM GLAND PLATE & FOUNDATION



LOCK TYPE

Standard	Swing Handle with Key	
Optional	Swing Handle with Pad Lock Facility	

**ORDERING REFERENCES**

S. No.	INFRATECH REFERENCES	SIZE: H x W x D	THICK	DOORS	REAR COVER	W1	W3	D1	MOUNTING PLATE		
									H2	W2	THICK
1.	IFX 206/600 SD + MP	2000 x 600 x 600	2	1	1	500	454	454	1830	475	2.5
2.	IFX 208/600 SD + MP	2000 x 800 x 600	2	1	1	700	654	454	1830	675	2.5
3.	IFX 2010/600 SD + MP	2000 x 1000 x 600	2	1	1	900	854	454	1830	875	2.5
4.	IFX 2010/600 DD + MP	2000 x 1000 x 600	2	2	1	900	854	454	1830	875	2.5
5.	IFX 2012/600 DD + MP	2000 x 1200 x 600	2	2	2	1100	1054	454	1830	1075	2.5
6.	IFX 206/800 SD + MP	2000 x 600 x 800	2	1	1	500	454	654	1830	475	2.5
7.	IFX 208/800 SD + MP	2000 x 800 x 800	2	1	1	700	654	654	1830	675	2.5
8.	IFX 2010/800 SD + MP	2000 x 1000 x 800	2	1	1	900	854	654	1830	875	2.5
9.	IFX 2010/800 DD + MP	2000 x 1000 x 800	2	2	1	900	854	654	1830	875	2.5
10.	IFX 2012/800 DD + MP	2000 x 1200 x 800	2	2	2	1100	1054	654	1830	1075	2.5

ALL DIMENSIONS ARE IN MM

\* Consult us For Form 4 Enclosure with 250mm width vertical Busbar chamber, 400mm width Cable chamber and Height 2300mm.



## INFRATECH ENCLOSURES - Distribution Board

### Multirow Din Consumer Boards



- ▶ DIN type Distribution boards are available in surface and flush mountable versions from 1 Row up to 8 Rows.
- ▶ DIN Rail chassis is mounted on studs with level adjustable fly nuts and are designed to accept snap on type neutral and earth bars. Each row can take 16 modules of equipment (optional - 24 modules) and the spacing between rows is 150mm.
- ▶ End plates have one multiple diameter knockout for accepting three different sizes of incomer cable and many knockouts for outgoing cables.
- ▶ Liberally designed size provides ample cabling space.
- ▶ The door or the box itself is reversible for left or right opening.
- ▶ The consumer boards are made of electrogalvanised steel sheets, electrostatically powder coated in RAL 7035.
- ▶ Degree of protection IP41 & 43

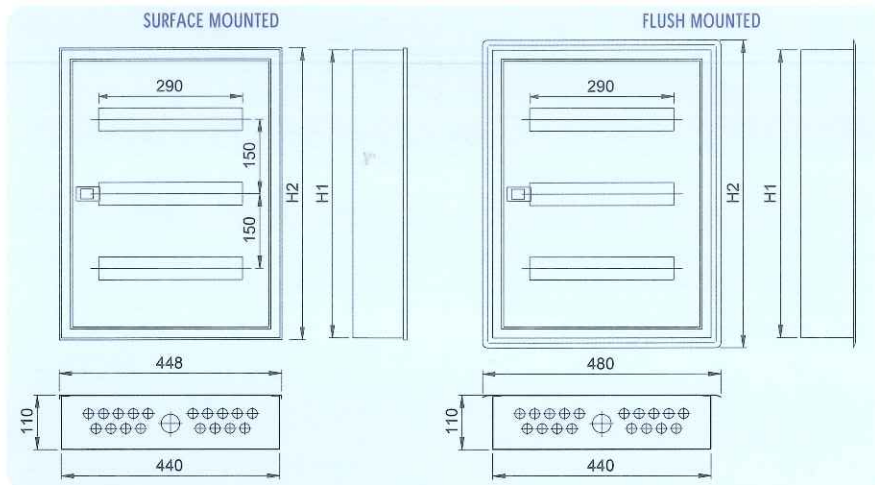


INSIDE VIEW



HINGES

# ROW TYPE DB

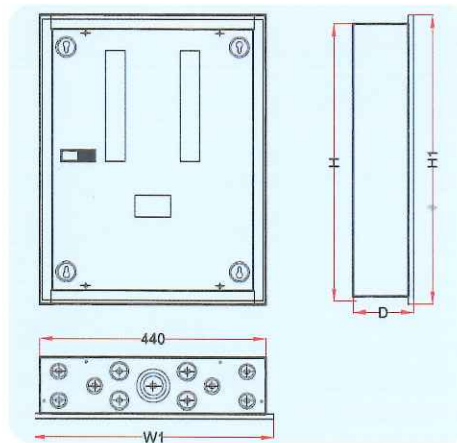


## ORDERING REFERENCES

SI. NO.	TYPE	SURFACE			FLUSH		
		INFRATECH REFERENCES	H1	H2	INFRATECH REFERENCES	H1	H2
1.	1 ROW	IFRDB 1S 16	280	288	IFRDB 1F 16	280	320
2.	2 ROW	IFRDB 2S 16	430	438	IFRDB 2F 16	430	470
3.	3 ROW	IFRDB 3S 16	580	588	IFRDB 3F 16	580	620
4.	4 ROW	IFRDB 4S 16	730	738	IFRDB 4F 16	730	770
5.	5 ROW	IFRDB 5S 16	880	888	IFRDB 5F 16	880	920
6.	6 ROW	IFRDB 6S 16	1030	1038	IFRDB 6F 16	1030	1070
7.	7 ROW	IFRDB 7S 16	1180	1188	IFRDB 7F 16	1180	1220
8.	8 ROW	IFRDB 8S 16	1330	1338	IFRDB 8F 16	1330	1370

ALL DIMENSIONS ARE IN MM

## STRAIGHT BUSBAR & SPLIT TYPE FINAL DISTRIBUTION BOARD



## ORDERING REFERENCES

SI. NO.	STRAIGHT BUSBAR TYPE DB NO. OF WAYS	SPLIT TYPE DB NO. OF WAYS BOTTOM + TOP	H	H2	W	D	SURFACE		FLUSH	
							W1	H1	W1	H1
1.	12		440	342	440	118	457	457	465	465
2.	18, 24	02 + 02 / 02 + 04	545	447	440	118	457	562	465	570
3.	30, 36	04 + 04 / 04 + 06	660	562	440	118	457	677	465	685
4.	42	04 + 08 / 06 + 06	710	612	440	118	457	727	465	735
5.	48	04 + 10 / 06 + 08	760	662	440	118	457	777	465	785
6.	54	04 + 12 / 06 + 10 / 06 + 12	830	732	440	118	457	847	465	855
7.	12, 18		660	562	440	140	457	677	465	685
8.	24		710	612	440	140	457	727	465	735
9.	30		760	662	440	140	457	777	465	785
10.	36		830	732	440	140	457	847	465	855
11.	42, 48, 54		950	852	440	140	457	967	465	975

ALL DIMENSIONS ARE IN MM

# INFRATECH

**INFRATECH** has Enclosure solutions and application for Low and Medium voltage Switchgear and other industrial application with Engineering competence and well qualified, experienced engineers and equipped with latest tailor made Design and Engineering software and most modern state of art manufacturing facility equipped with CNC Punch Press and CNC Pressbrakes, Mig welding machines. **INFRATECH** provide products conforming to standards and of consistent quality.

**INFRATECH** plant equipped with conveyorised, 7 stage spray oxsilan® pretreatment process combined with automatic electrostatic polyester powder coating ensuring the durability of its products and for best surface protection and corrosion resistance.



Jazeera Al-Hamra, Ras Al Khaimah, United Arab Emirates

Tel: +971 6 7405594, P.O. Box: 67718, Sharjah - UAE. Email: sales@infratech.ae